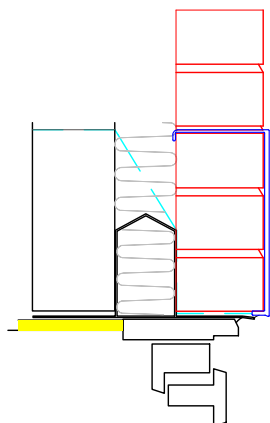




**EASY-SILL**

Installation without complication

# Header installation guide



## Four simple steps are required to install one of our Easy-Sill headers

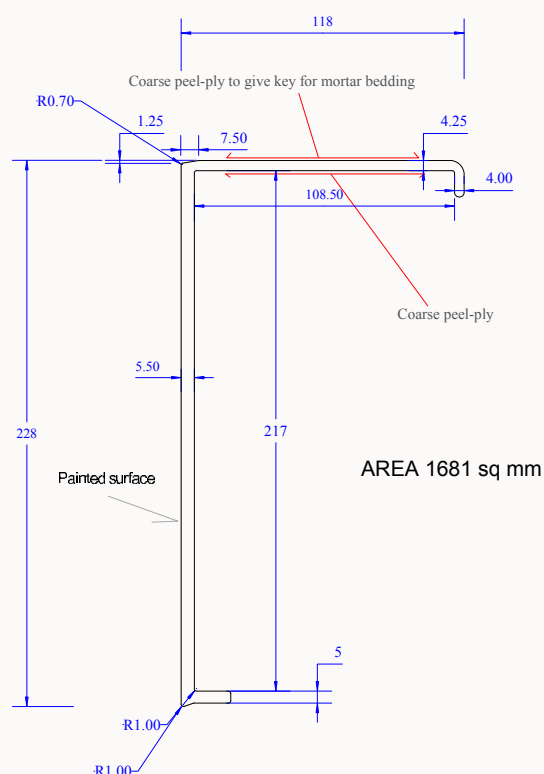
1. Remove header from packaging
2. The header is clipped onto the outer layer of brickwork. It will fit a standard 102.5mm deep brick
3. If the wall is thicker than 102.5mm, the lip snaps off to allow the header to fit any wall depth
4. Once installed, the header provides the look of a traditional stone lintel and offers an attractive finish to any home

## Technical data on pultruded profiles reinforced with longitudinal roving and mat. Based on profiles with wall thickness of 3 mm.

Tensile strength longitudinal	450 N/mm <sup>2</sup>
Tensile strength transverse	70 N/mm <sup>2</sup>
Flexural strength longitudinal	400 N/mm <sup>2</sup>
Flexural strength transverse	120 N/mm <sup>2</sup>
E-modulus flexural longitudinal	22000 N/mm <sup>2</sup>
E-modulus flexural transverse	10000 N/mm <sup>2</sup>
Compression strength longitudinal	300 N/mm <sup>2</sup>
Compression strength transverse	80 N/mm <sup>2</sup>
Shear strength	30 N/mm <sup>2</sup>
Shear modulus	3000 N/mm <sup>2</sup>

Elongation at break longitudinal	2,2 %
Elongation at break transverse	1,6 %
Hardness	60 Barcol
Density	1,8

Coeff. Of thermal expansion longit.	8 – 12 x 10 <sup>-6</sup> K <sup>-1</sup>
Coeff. Of thermal expansion transv.	15 – 20 x 10 <sup>-6</sup> K <sup>-1</sup>
Thermal conductivity	0,28 – 0,32 W/mK
Water absorption	0,5 – 2,0 %



Contact one of our expert team for more details or visit us online  
[www.easy-sill.co.uk](http://www.easy-sill.co.uk) Tel: 0151 363 1367 E-mail: [info@easy-sill.co.uk](mailto:info@easy-sill.co.uk)